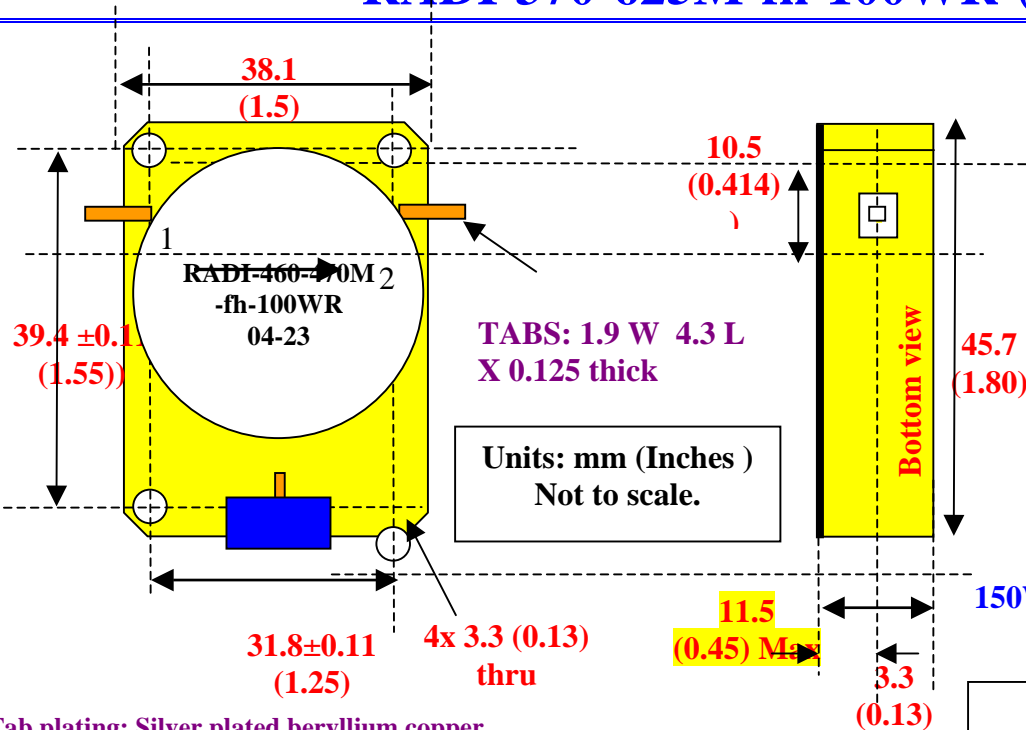


RADITEK INC.

(code sj)

370--625 MHz Stripline Isolators , 100W, 150W and 200Watts

RADI-370-625M-fh-100WR-(sj)



150W and 200W load models available

Tab plating: Silver plated beryllium copper.
Leads should have stress relieve.
The outline and location of screw hole & tabs should not change.
Specifications (over full operating temperature range)

Standard ff strain relief.
20 mil ±10 mil radius (0.5±0.25mm)

Specifications:

Frequency (F _{LO} F _{HI})	MHz	420 - 50	430 - 450	445 - 460	450 - 470	458 - 470	450-500
Bandwidth		Full	Full	Full	Full	Full	50MHz
Insertion loss	dB Max.	0.3	0.35	0.35	0.35	0.35	0.4
Isolation	dB Min.	19	20	20	20	20	18
Return Loss		19	20	20	20	20	18
VSWR, input / output	Max.	1.25:1	1.25:1	1.25:1	1.22:1	1.22:1	1.22:1
Rated power (Forward)	Watts	200	200	200	200	200	200
Rated power (Reverse)	Watts	100	100	100	100	100	100
Operating temperature	°C	-30 to +85	-30 to +85	-30 to +85	-30 to +85	-30 to +85	-30 to +75
Storage temperature	°C	-40 to +110	-40 to +110	-40 to +110	-40 to +110	-40 to +110	-40 to +110

Note: at 110W reverse power the isolation degrades by 2db
Pulse power 200 W is admissible at pulse duration not more than 50 microseconds.
Power Handling: 150 Watts Peak 1.5msec. Pulse Width 5% Duty Cycle
See also or ff Circulator model

0.45 IL @ 85C
19.5 Isol @ 0-50C
SLAC

RADITEK INC.

(code sj)

370--625 MHz Stripline Isolators , 100W, 150W and 200Watts

RADI-370-625M-fh-100WR-(sj)

Frequency (F _{LO} F _{HI})		370 - 400	380-420	400-450	400-460	405-455
Bandwidth	MHz	Full	Full	Full	Full	Full
Insertion loss	dB (Min)	0.6	0.35	0.8	1.0	1.0
Isolation	dB (Max)	18	18	20	18	18
Return Loss	dB (Max)	20	18	19	18	18
VSWR, input / output		1.3:1	1.25:1	1.25:1	1.30:1	1.30:1
Rated power (Forward)	Watts	200	200	200	200	200
Rated power (Reverse)	Watts	100	100	100	100	-100
Operating temperature	°C	-30 to +85	30 to +85	-30 to +85	-30 to +85	-30 to +85
Storage temperature	°C	-40 to +110	-40 to +110	-40 to +110	-40 to +110	-40 to +110

Frequency (F _{LO} F _{HI})		454 - 476	575-625	425 - 455	410 - 420	460-470
Bandwidth	MHz	Spec	Full	Full	Full	10MHz
Insertion loss	dB (Min)	0.3	0.4	0.8	0.4	0.3
Isolation	dB (Max)	23	19	16	19	25
Return Loss	dB (Max)	20	19	14	19.1	19
VSWR, input / output		1.3:1	1.25	1.5:1	1.25:1	1.25:1
Rated power (Forward)	Watts	200	200	200	200	200
Rated power (Reverse)	Watts	100	100	100	100	120
Operating temperature	°C	-30 to +85	-30 to +85	-30 to +85	-30 to +85	-30 to +85
Storage temperature	°C	40 to +125	-40 to +125	-40 to +125	-40 to +125	

Generic Specs					
Bandwidth (max.)	MHz	10	20	25	30
Insertion loss	dB (Min)	0.45	0.5	0.5	0.6
Isolation	dB (Max)	20	20	19	18
Return Loss	dB (Max)	19	20	20	20
VSWR, input / output		1.25:1	1.3:1	1.3:1	1.3:1
Rated power (Forward)		200	200	200	200
Rated power (Reverse)	Watts	100	100	100	100
Operating temperature	°C	0 to 85	0 to 85	0 to 85	0 to 85
Storage temperature	°C	-40 to 110	-40 to 110	-40 to 110	-40 to 110

Weight FF	0.2075	lbs
	0.0942	kg

RADI-370-625M-fh-100WR

Specifications may be subject to change

06/30/05

WORLD HQ: 1702H Meridian Ave. Suite 127, San Jose, Ca 95125, U.S.A.

Telephone: (408) 266-7404 FAX: (408) 266-4483

Web site is at www.raditek.com E-mail: sales@raditek.com

RADITEK INC.

(code sj)

370--625 MHz Stripline Isolators , 100W, 150W and 200Watts

RADI-370-625M-fh-100WR-(sj)

Frequency (F _{LO} F _{HI})		401 – 420	420 – 470 B	430 – 450 B
Bandwidth	MHz	Full	Full	Full
Insertion loss	dB (Min)	0.5	0.6	0.3
Isolation	dB (Max)	20	18	22
Return Loss	dB (Max)	20	19	22
VSWR, input / output		1.3:1	1.25	1.25
Rated power (Forward)	Watts	200	200	200
Rated power (Reverse)	Watts	100	30	30
Operating temperature	°C	0 to 85	-25 to +85	-25 to +85
Storage temperature	°C	-40 to 110	-40 to +125	-40 to +125